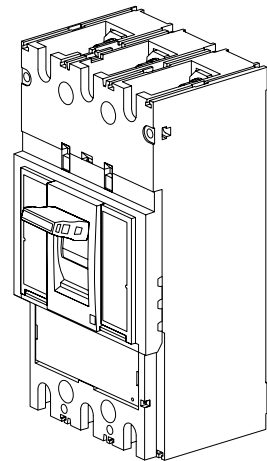


**Instruction Manual for
Moulded Case Circuit
Breakers**

Types

- Adjustable Thermal Magnetic Type
E400-NJ S400-CJ
S400-NJ S400-GJ
S400-PJ
- Electronic Type
S400-NE S400-GE
S400-PE



Please retain this manual for future reference. The Manufacturer assumes no responsibility for damages resulting from non-application or incorrect application of the instructions provided herein.

TERASAKI ELECTRIC CO., LTD.

7-2-10 Kamihigashi, Hiranoku, Osaka
547-0002, Japan
TEL: 81-6-6791-9323/ FAX: 81-6-6791-9274
URL : <http://www.terasaki.co.jp>
E-mail : int-sales@terasaki.co.jp

2G0789SAB (KRB-5336b)

1 Safety Notices

Be sure to read these instructions and other associated documents accompanying the product thoroughly to be familiarize yourself with the product handling, safety information, and all other precautions before mounting, using, servicing, or inspecting the product. In these instructions, safety notices are divided into "Warning" and "Caution" according to the hazard level:

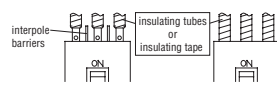
- Warning** : A warning notice with this symbol indicates that neglecting the suggested procedure or practice could result in lethal or serious personal injury.
- Caution** : A caution notice with this symbol indicates that neglecting the suggested procedure or practice could result in moderate or slight personal injury and/or property damage. Note that failing to observe **Caution** notices could result in serious results in some cases. Because safety notices contain important information, be sure to read and observe them.

Mounting Precautions

(For detailed mounting dimensions, refer to the TemBreak2 catalogue.)

Caution

- Electrical work should only be undertaken by suitably qualified persons.
- Do not place the product in an area that is subject to high temperature, high humidity, excessive dusty air, corrosive gas, strong vibration and shock, or other unusual conditions. Mounting in such areas could cause a fire or malfunction.
- Be careful to prevent foreign objects (debris, concrete powder, iron powder, etc.) and rainwater from entering product. These materials inside the product could cause a fire or malfunction.
- Prior to commencing any work on the product, open an upstream circuit breaker or isolator to ensure that no voltage is applied to the product. Otherwise, electrical shock may result.
- For 4-pole breakers, be sure to connect a neutral conductor to the N pole. Otherwise, an over-current may hinder the product from tripping, thus resulting in a fire.
- When connecting cable or busbar to the product, tighten terminal screws to the torque specified in this manual. Otherwise, a fire could result.
- Even when tightening the terminal screws and after conductor connection, do not apply excessive force to the terminals. Otherwise, a fire may result.
- For front-connected breakers, Insulate all bare conductors of the line side until the breaker end. If interpole barriers are packed, be sure to use the barriers; moreover, insulate all bare conductors by insulating tape or the like so that the tape overlaps with the barriers. Insufficient insulation may result in short-circuit.
- Do not block the arc gas vents of the product to ensure adequate arc space. Blocking these vents could result in failure of circuit interruption.



Handling Precautions

Warning

- Never touch terminals. Otherwise, electric shock may result.

Caution

- When the breaker trips open automatically, remove the cause, then return the handle to the (ON) position. Should a fault be interrupted, the breaker must be inspected. Otherwise, a fire may result.

Maintenance Precautions

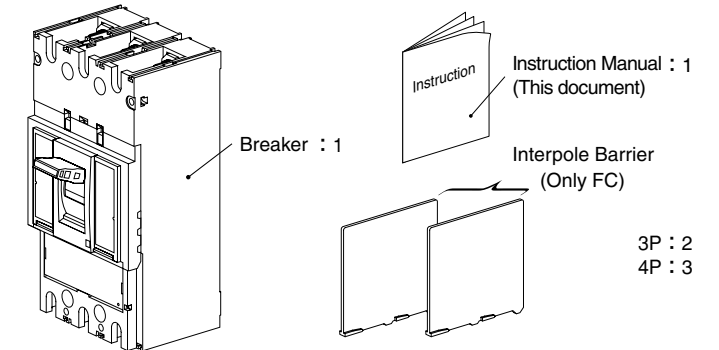
Caution

- Service and/or inspection of the product must be done by persons having expert knowledge.
- Before servicing or inspecting the product, open an upstream circuit breaker or the like to isolate all sources of power. Otherwise, electric shock may result.
- Regularly check that the breaker terminal screws are tightened to torque values shown within this manual, failure to do so may result in fire.

Other Precautions

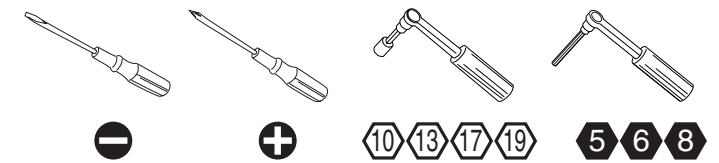
- Do not carry this product by accessory leads, as this may cause damage to the product.
- Unauthorised opening of the breaker cover will invalidate product warranty.
- When installing the product, use wires or conductors, the cross sectional areas of which accommodate the rated current of the product. Using wires or conductors with inadequate cross sectional areas may cause false tripping and overheat.

2 Packaged Items/Assembly Tools

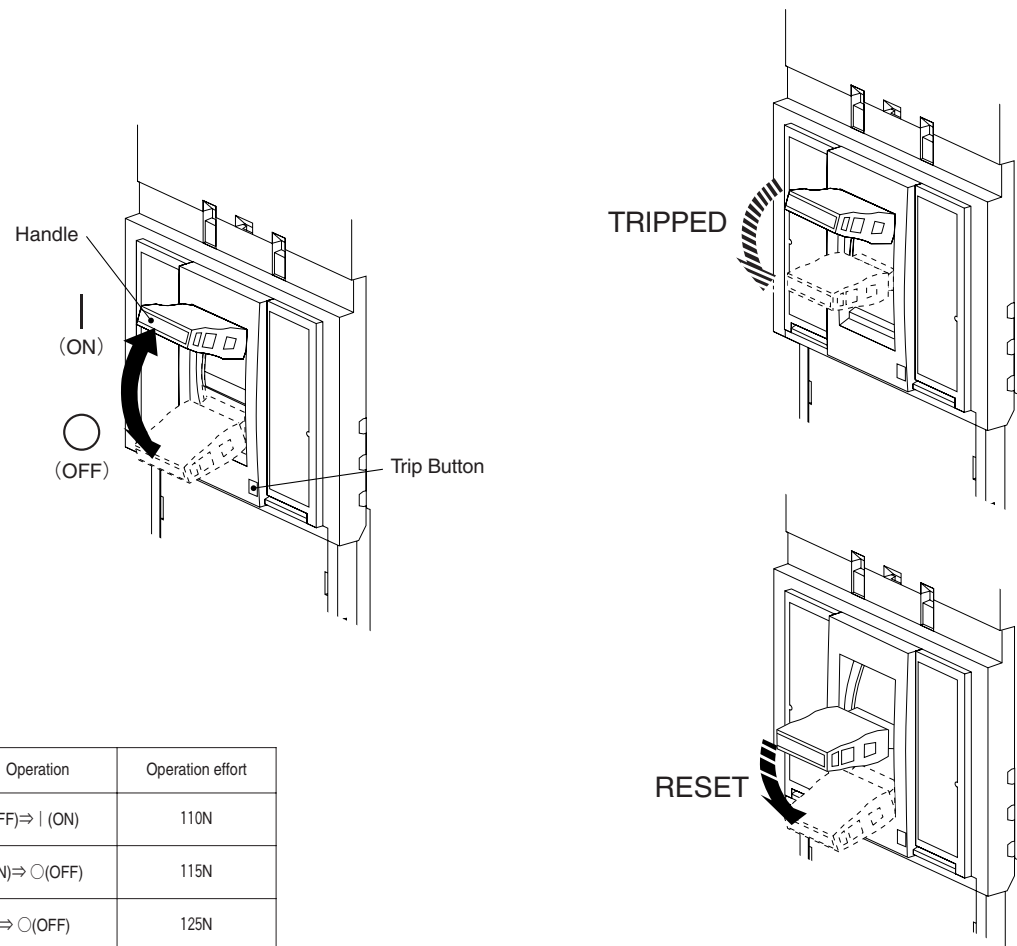


Connections/Poles	Qty	Type 400AF		
		S400-CJ	S400-□J	S400-□E
Front Connected (FC)	3P	6	M10×25	
	4P	8	M6×100	
	3P	4	M12×35	
	4P	4	M6×100	
Rear Connected (RC)	3P	6	M12×35	
	4P	8	M6×100	
	3P	4	M6×100	
	4P	4	M6×100	
Plug-in Connected (PM)	3P	4	M6×120	
	4P	4	M6×120	
Flush Plate Where Applicable (F.P.)	3P	6	M12×35	
	4P	8	M6×25	
	3P	4	M6×25	
	4P	4	M6×25	

□ : "N" or "G" or "P"



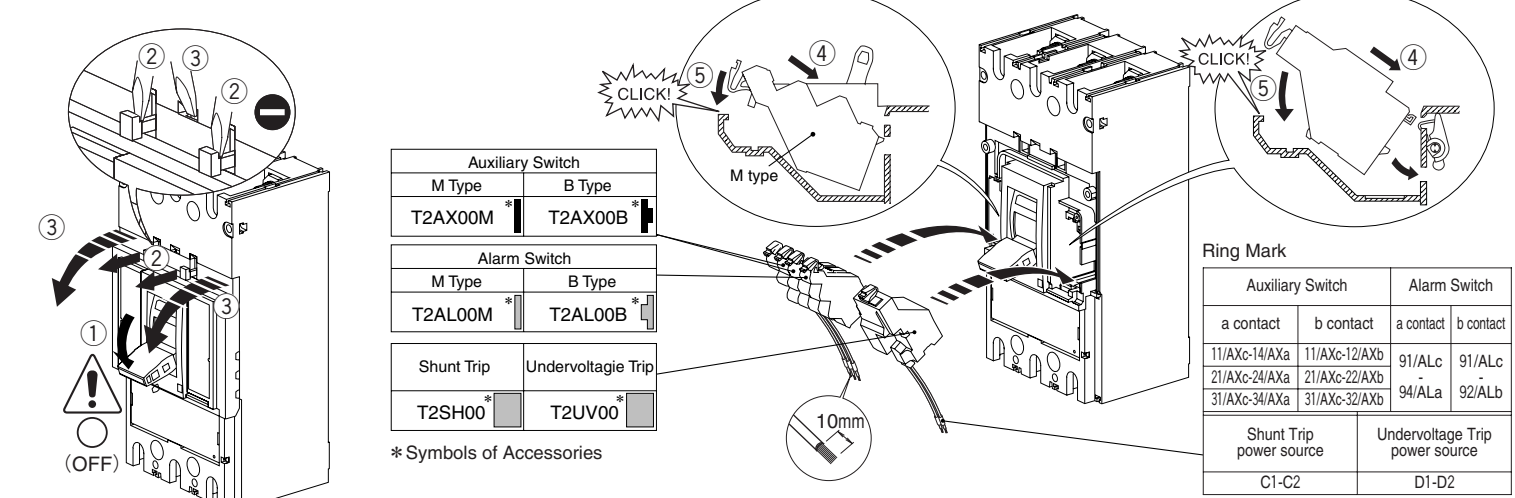
3 Operating Instructions



	Operation	Operation effort
E400-NJ S400-CJ S400-□J S400-□E	○(OFF)⇒ (ON)	110N
	(ON)⇒ ○(OFF)	115N
	TRIP⇒ ○(OFF)	125N

□ : "N" or "G" or "P"

4 Fitting Internal Accessories

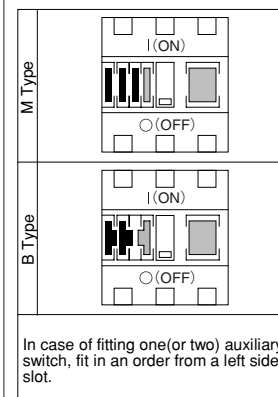


Auxiliary Switch	
M Type	B Type
T2AX00M	T2AX00B
Alarm Switch	
M Type	B Type
T2AL00M	T2AL00B
Shunt Trip	
T2SH00	T2UV00
Undervoltage Trip	
T2SH00	T2UV00

* Symbols of Accessories

Ring Mark			
Auxiliary Switch		Alarm Switch	
a contact	b contact	a contact	b contact
11/AXc-14/AXa	11/AXc-12/AXb	91/ALc	91/ALc
21/AXc-24/AXa	21/AXc-22/AXb	94/ALa	92/ALb
31/AXc-34/AXa	31/AXc-32/AXb		
Shunt Trip power source		Undervoltage Trip power source	
C1-C2		D1-D2	

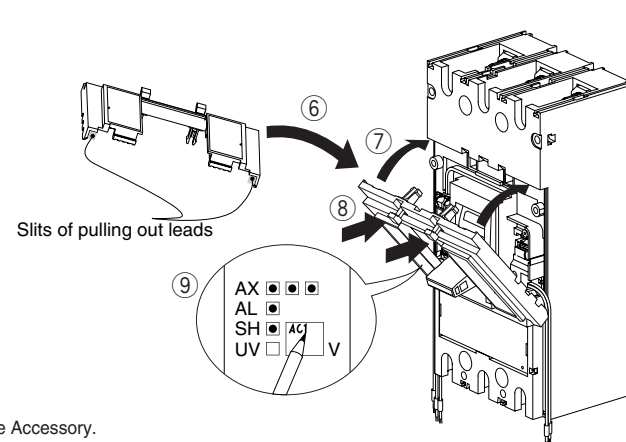
Combination



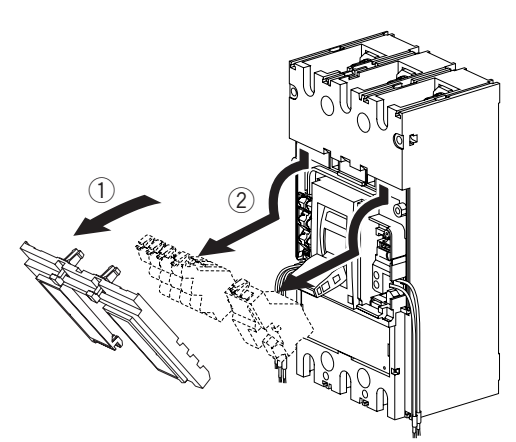
In case of fitting one(or two) auxiliary switch, fit in an order from a left side-slot.

• After fitting, verify the function of the Accessory.

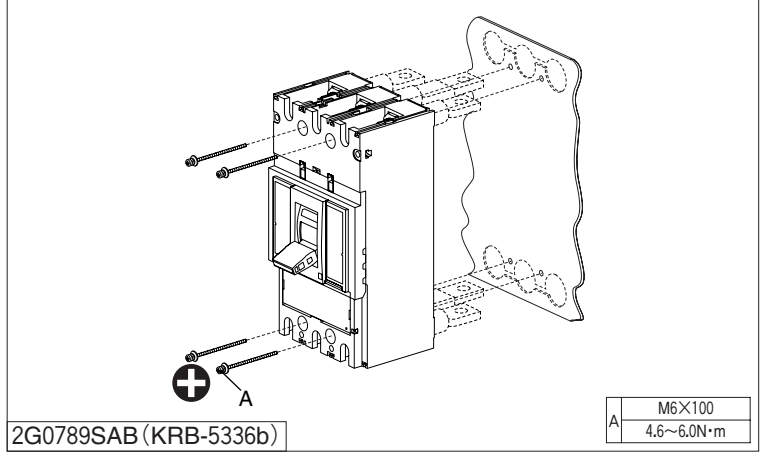
Pull Out Leads on Load Side



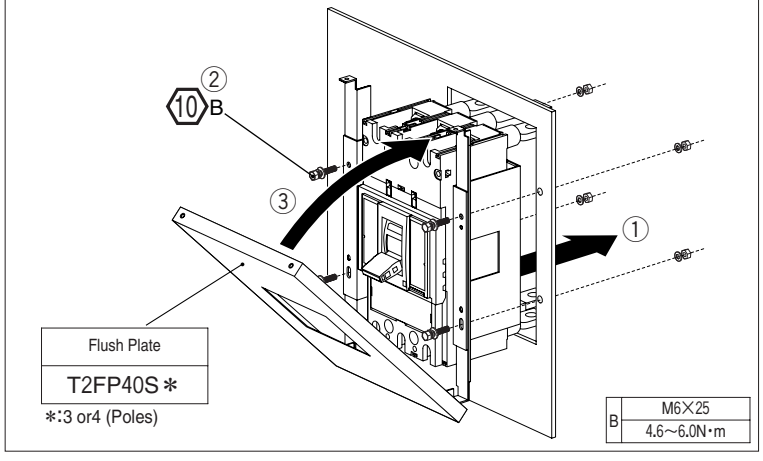
Removal



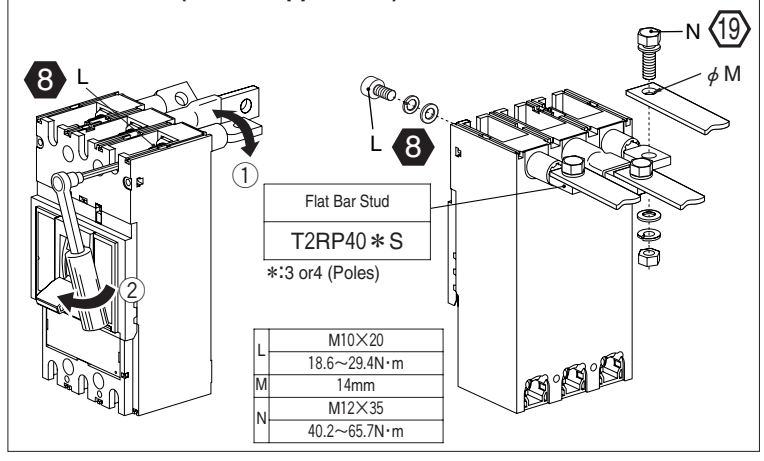
5 Breaker Mounting Procedure for FC / RC



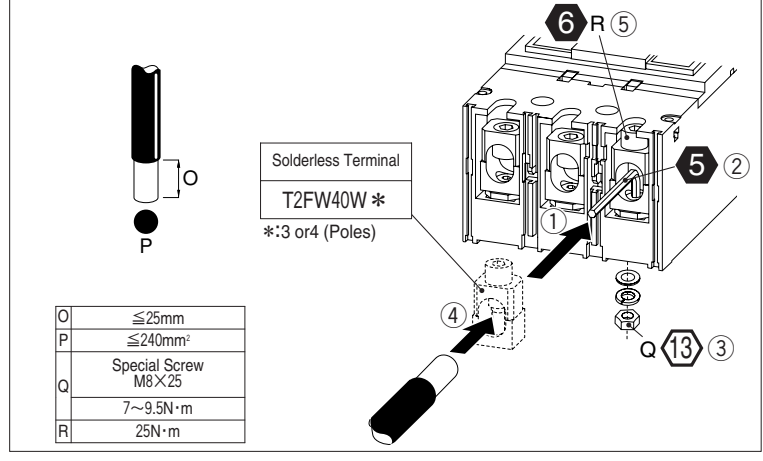
6 Breaker Mounting Procedure for F.P (Where Applicable)



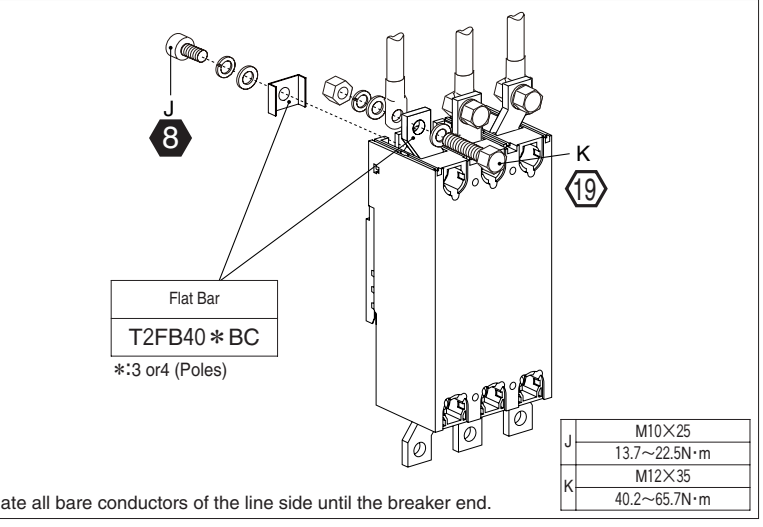
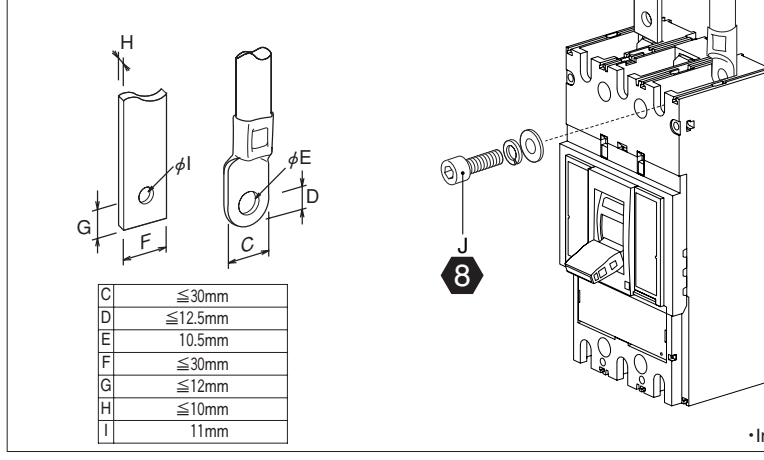
8 Conductor Connection Procedure for RC / F.P (Where Applicable)



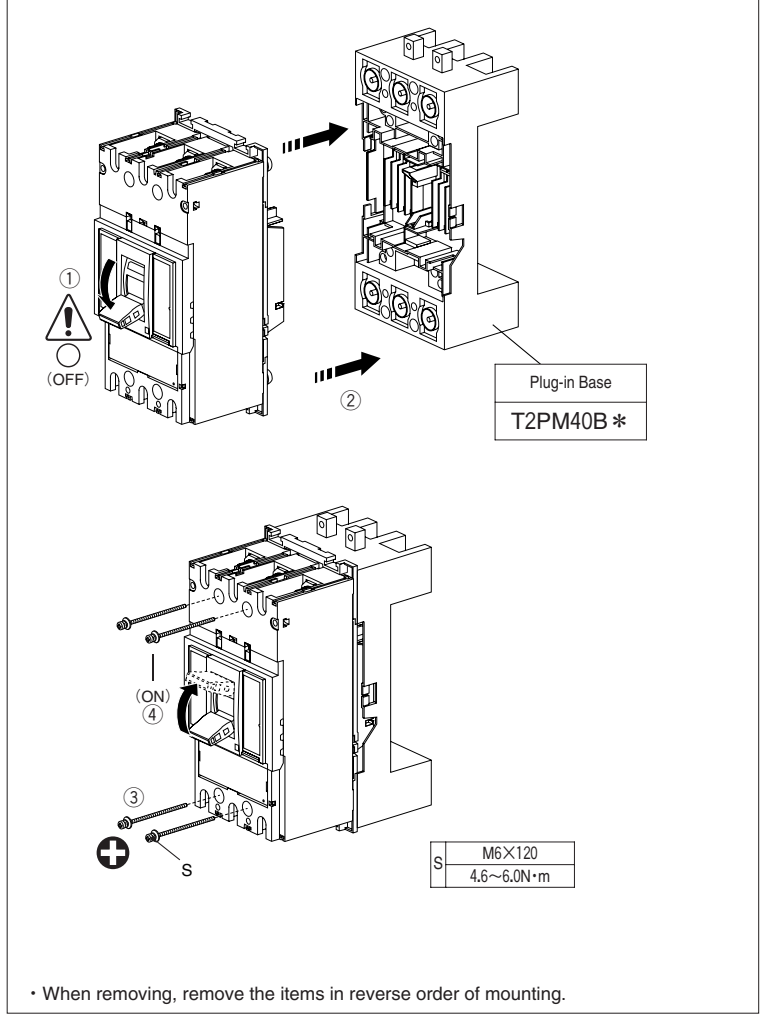
9 Solderless Terminals Mounting Procedure for FC



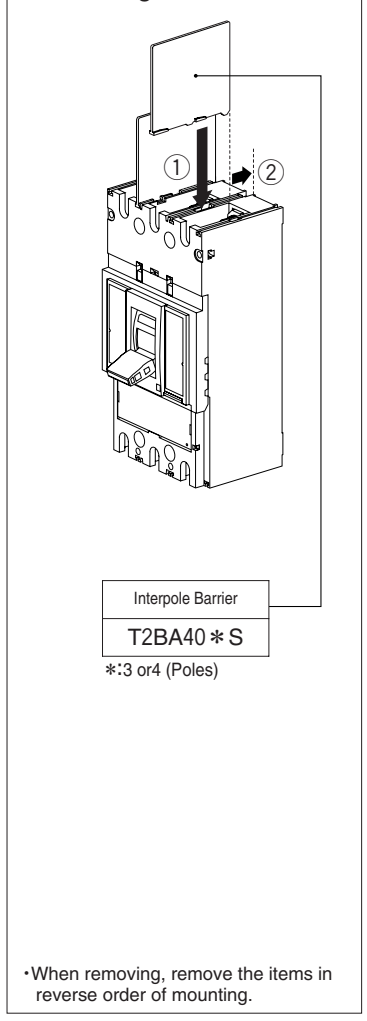
7 Conductor Connection Procedure for FC



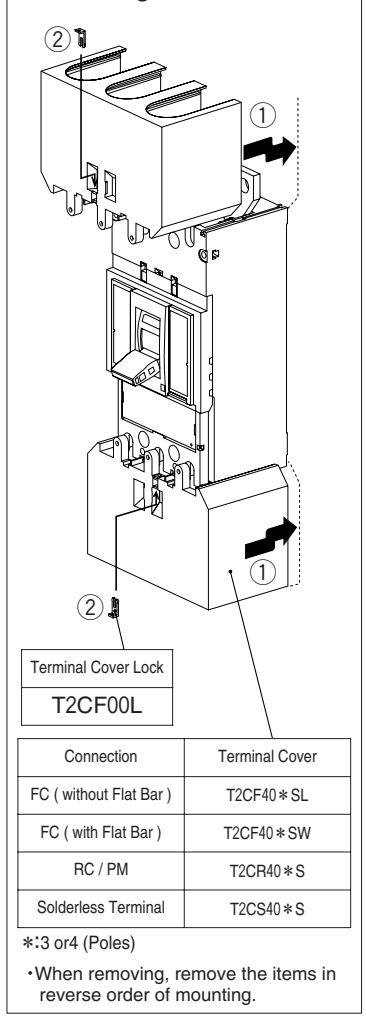
10 Breaker Mounting Procedure for PM



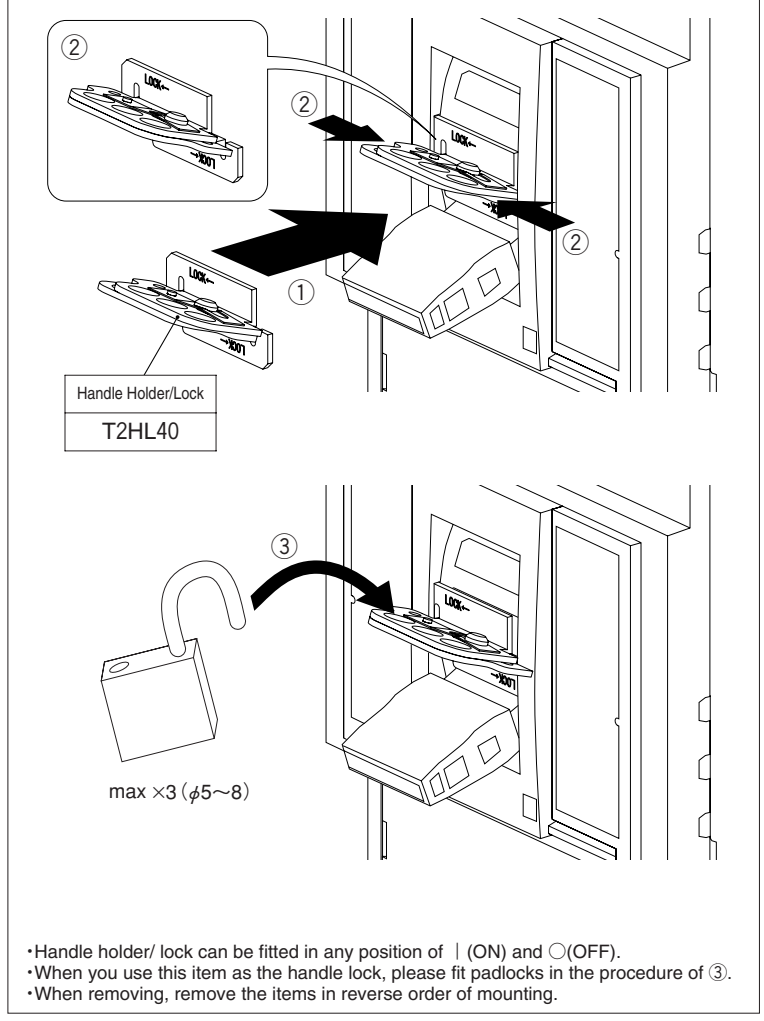
11 Interpole Barrier Mounting Procedure



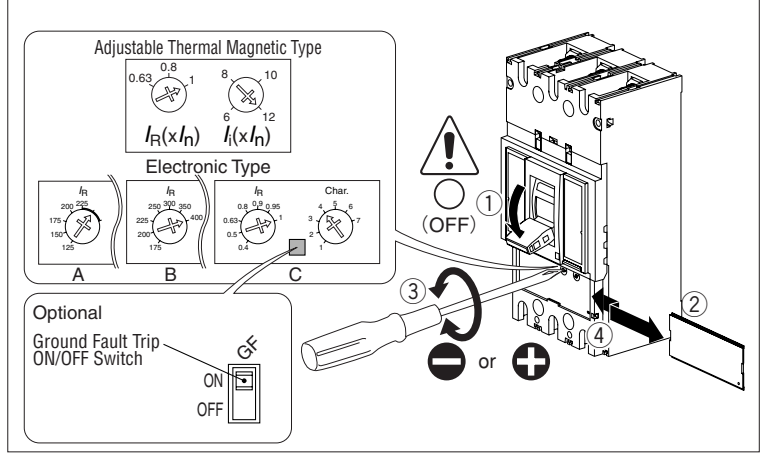
12 Terminal Cover Mounting Procedure



13 Handle Holder / Lock Mounting Procedure



14 Adjustable Thermal Magnetic Type / Electronic Type



15 Time / Current Characteristic Curves

